



**STYLISH[®]
ROLLER
DOORS**



COMPLETE
WITH A 5 YEAR
WARRANTY

STYLISH ROLLER DOORS



Stylish Roller Doors use AG77mm laths and are designed to be installed in most types of garages and business units and anywhere up to a maximum width of 5.0m wide x 2.8m high or an area approximately 13.4 sq m for class 1 wind load resistances according to EN 12424.

Stylish Roller Doors consist of aluminium foam filled profiles usually 77mm in height which roll and retract into the shutter box located above the lower edge of the lintel. The shutter box is normally no more than 300mm sq and can be installed externally where space is limited internally or for low garages there is the 55mm profile that rolls into a box of 205mm.

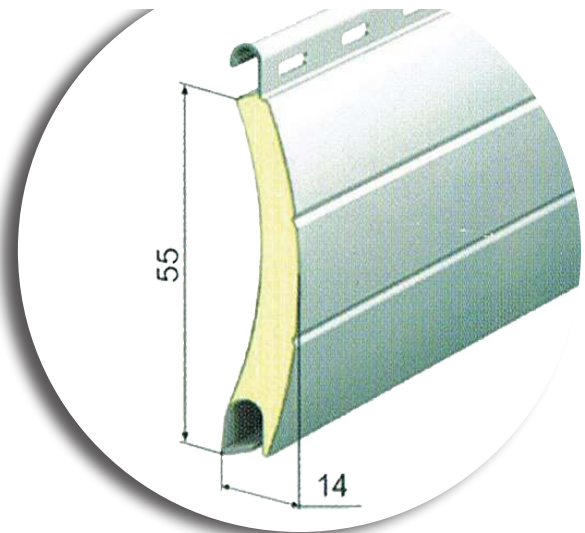
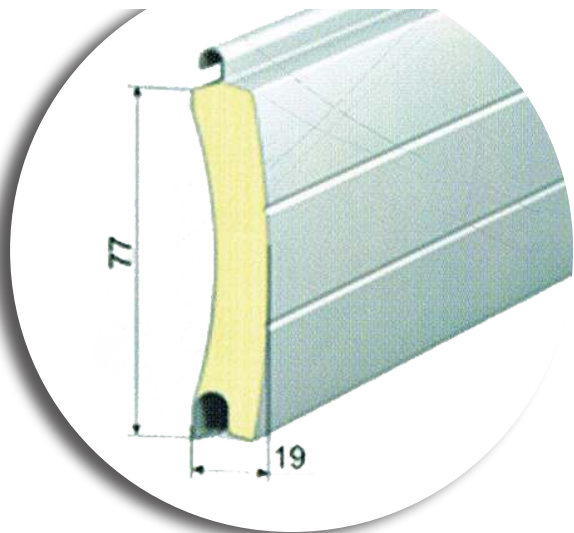
INTERNAL, BETWEEN & EXTERNAL FIX



Stylish Roller Doors can be installed between the brickwork openings or fitted inside the rear face of the garage wall to give maximum opening width between the brickwork faces.

If the internal space above the opening is restricted, an external face fix should be considered and this will mean that the roller door will be fitted outside the garage and will need the full box fitted that completely encloses the roller door.

INSULATED ROLLER GARAGE DOOR LATH



The 77mm standard lath requires at least 300mm (1ft) above your opening height to allow for the door to roll up into the box above. The lath is 77mm high and 19mm thick fully insulated.

The 55mm lath requires at least 205mm above your opening height to allow for the door to roll up into the box above. The lath is 55mm high and 14mm thick fully insulated.

High Quality Lacquer coating of roll-formed profiles and roll formed shutter boxes has been confirmed by the test protocols of BASF Coating (Germany) and AkzoNobel (Sweden). The coating quality of extruded profiles has been confirmed by Qualicoat certificate (Switzerland).

Features of the coating:

- High resistance to wearing out & scratches.
- Resistance to stretching, cracking & layering.
- Resistance to UV rays and temperature fluctuations.
- High resistance to corrosion.
- Resistant to aggressive environments, such as detergents, solvent vapour & caustics etc.
- For extruded profiles constant stability of the lustre on surface coatings.

REMOTE CONTROL TECHNOLOGY

Plug & Play Controllers

Wireless / Wired Kit

- Battery powered door sensor / Spiral cable & junction box
- Optical safety edge
- Rubber profile
- Choice of 2 transmitters
- Push button cover on controller
- Pre-wired 240 V ac cable & plug
- Control box LED emits within minutes



“ No longer are magnets required to offset an uneven floor, our unique system can deactivate the safety edge just before it hits the floor preventing any re-opening or the need to install magnets. ”

Smart Phone Technology - MY HAND

MY-HAND allows the control of all your home's automated systems, including roller doors, blinds, awnings, garage doors, gates and lighting.

MY-HAND acts as an interface between your smart phone, ipad or android device and the device that you want to operate for example: garage door, lighting, gates etc. Rooms can be allocated a name and transmitters assigned to each device in each room. Group control, sub group and timer functions are all programmable.

Simple to install and commission. Simply plug into your broadband router to reveal the IP address, type this into your browser to reveal a world of control from your smart phone, ipad, tablet or PC.



Available Colour Finishes
* Colours are for illustration purposes only

White	55 / 77mm
Creme	55 / 77mm
Light Beige	55 / 77mm
Grey	55 / 77 mm
Silver	55 / 77mm
Duck Egg Blue	77mm
Ivory	55 / 77mm
Sage Green	77mm
Moss Green	77mm
Fir Green	55 / 77mm
Traffic Red	55 / 77mm
Purple Red	55 / 77mm
Blue	55 / 77mm
Brown	55 / 77mm
Dark Brown	55 / 77mm
Graphite	55 / 77mm
Anthracite	55 / 77mm
Black	55 / 77mm
Golden Oak	55 / 77mm
Rosewood	55 / 77mm
Irish Oak	55 / 77mm
Walnut	55 / 77mm



Emergency Hand Wind

In the event of a power cut, in order to enter the garage, there are detachable emergency hand winds to open and close the doors.



Key Switch / Rocker Switch

Doors can be supplied without a safety edge kit and control unit and be replaced by a key switch or internal rocker switch to keep the cost down.

An alarm box can also be fitted to the door which senses vibrations and signals if someone tries to gain access to your property.



Guide Sections

The guide sections incorporate 2 luxurious pile in-fills which sandwich the door sections giving the door a positive seal, helping to minimise draughts.



Auto Lock System

The Auto Lock system is a standard feature of a motorised shutter, providing extra security.



Lockable Hand Wind

The Lockable Hand Wind is another tool that can be used to enter the garage in the event of an emergency.



Digi - Box

The Digi-Box can be fitted on the outside and comes in either black or white and is also waterproof, enabling the door to be opened without the use of a remote control.



Safety Edge Kit

The rubber seal on the bottom is installed to minimise draught, water and leaves from being blown under the door. Within the rubber there is a wired safety edge system that will re-open upon detecting an obstacle preventing any damage to the door / car or any other obstacles.

Stylish Roller Doors are installed with a safety brake system to stop the door from falling if the motor were to fail. All of our doors are also fitted with a full hood to protect against any accidents where the finger could be trapped in the roller and also to make the door aesthetically pleasing on the eye.

*The guides, plates and hoods come in either white or dark brown.



WARRANTY & GUARANTEE

Stylish Roller Doors come complete with a 5 year warranty on the door and motor.

The control panel and all other electrical components come with 5 years warranty.

The colour finish has a limited 5 year guarantee.

All parts come fully CE marked.

All of our remote controls come with a limited 6 month warranty.